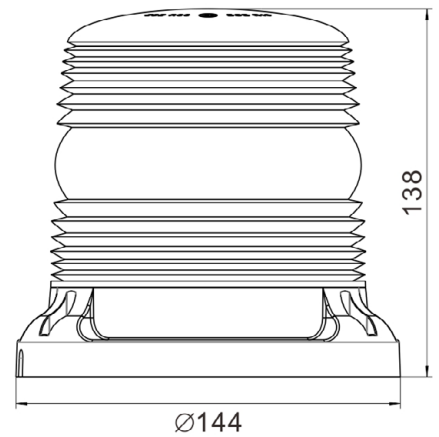
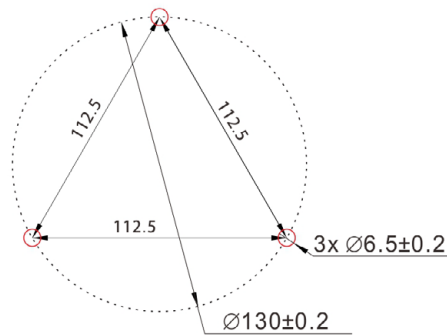


24W HIGH POWER LED BEACON



Install Hole Size (unit)



IP69K

Model	Voltage	LED	Weight	Bulb Worklife	Rating	Mounting	Color Temp	Dimensions
LED-BCN24L	DC10/32V	24x1W	500G	50,000hr	IP69K	Magnetic or Bolt	1,800K Amber	138(H) x144(D) mm