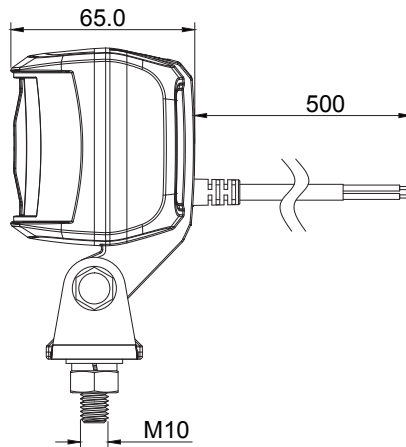
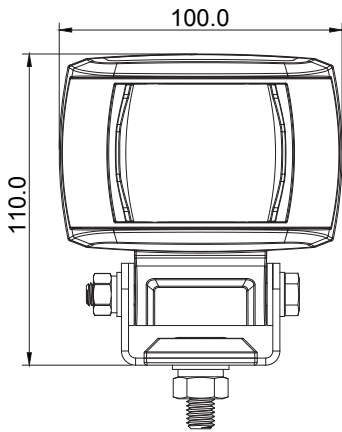


Light Spotter Series - Spot Safety Light

The Spot safety light is the safest most efficient way to safely operate your equipment in a congested work area. Equipped with 6 LEDs, this is the most visible safety spot light on the market.

1. Safety light for all work vehicles & equipment
2. Higher light efficiency, lower light decay
3. 10~80V Wide Voltage range, suitable for various types equipment
4. Durable PC lens minimizes environmental damage
5. AL Die-Cast housing allows effective heat dissipation and extends lifespan
6. IP67 water and dust proof



Specs

- Voltage: 9-80v DC
- Wattage: 18W
- LED: 6 * 3W
- Function: Safety line or point
- Material: Aluminum
- Lens: PC
- Support: bolt + nut
- Waterproof: IP67
- Operating temperature: -40° F / + 149° F
- Cable: 1'
- Weight: 1.4lbs
- 2 year warranty

Colors

- Amber
- Blue
- Red



Have any questions or need additional information? | Call us today at 877.708.7803

KOHLTECH | www.kohltechnology.com | info@kohltechnology.com