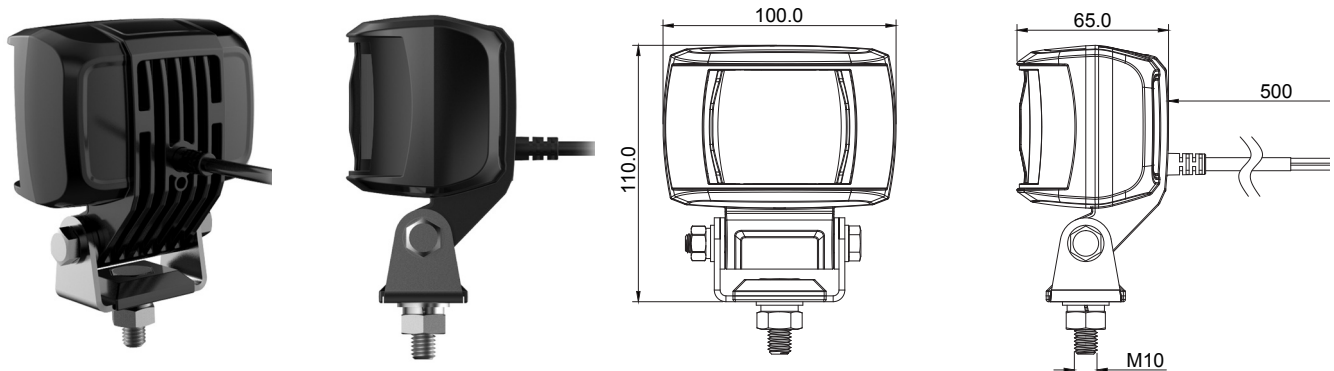


Light Spotter Series - Straight Line LED Light

With the straight line LED light you can easily project a line on the ground and protect pedestrians by drawing a safety perimeter, around handling equipment, such as forklifts, pavers, planers, excavators etc. Use the two window lens, to adjust the size of the line on the ground for optimum accuracy and safety.

Straight Line LED Light

1. Smooth Straight line specialty light
2. Higher light efficiency, lower light decay
3. 10-80V Wide Voltage range, suitable for various applications
4. Durable PC lens minimizes environmental damage
5. Aluminum Die-Cast housing allows effective heat dissipation and extends lifespan
6. Waterproof rating: IP67



Specs

- Voltage: 9-80v DC
- Wattage: 12W
- LED: 4 * 3W
- Function: Safety line
- Material: Aluminum
- Lens: PC
- Support: bolt + nut
- Waterproof: IP67
- Operating temperature: -40° F / + 149° F
- Cable: 1'
- Weight: 1.4lbs
- 2 year warranty

Colors

- Blue
- Green
- Red

