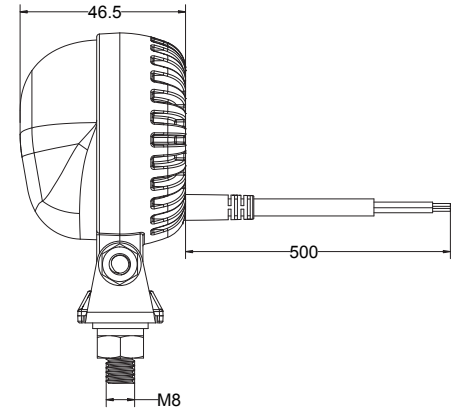
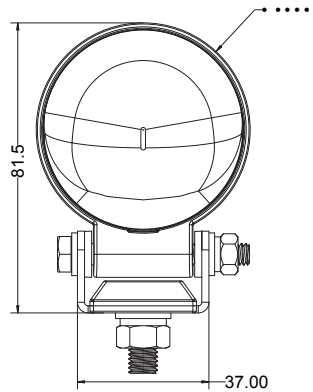


Light Spotter Series - ARC LED Spot Light

The ARC LED Spotlight is equipped with 6 LEDs that project a highly visible red perimeter on the ground that provides the safest and most efficient way to operate your equipment in a congested work area.

ARC LED Spot Light

1. Smooth arc line with round edges
2. Higher light efficiency, lower light decay
3. 10-80V Wide Voltage range, suitable for various types of truck & equipment
4. Durable PC lens minimizes environmental damage
5. AL Die-Cast housing allows effective heat dissipation and extends lifespan
6. IP67 water and dust proof



Specs

- Voltage: 9-80v DC
- Wattage: 10W
- LED: 2 * 5W
- Function: Safety Arc
- Material: Aluminum
- Lens: PC
- Support: bolt + nut
- Waterproof: IP67
- Operating temperature: -40 ° C / + 149° F
- Cable: 1.5'
- Weight: 1.5lbs
- 2 year warranty

Colors

- Blue
- Green
- Red

